

# FARMMI<sup>®</sup>

## PROFI FOREST

WOOD CHIPPER COMBINATIONS • 260-380 • T 5000 • P 121

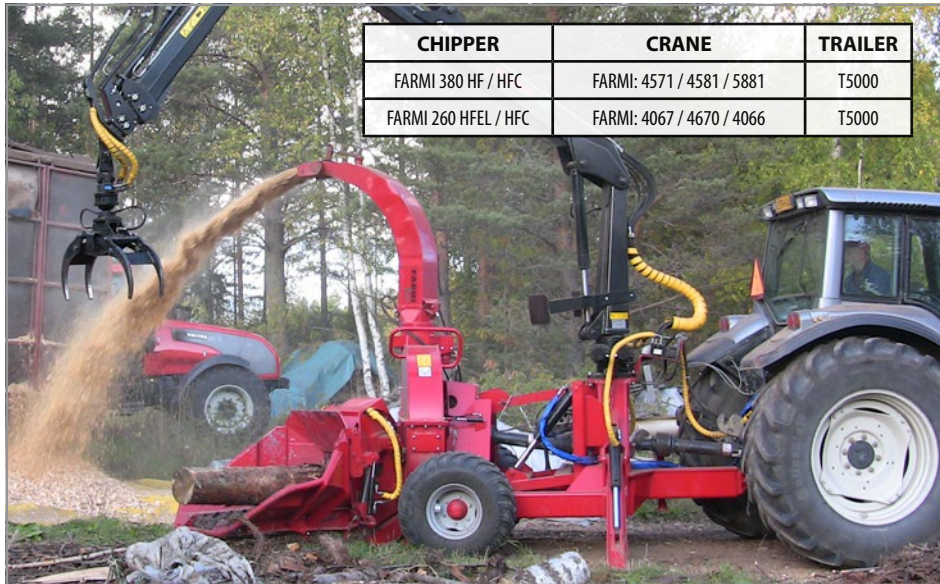
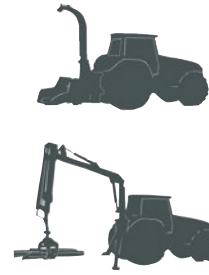




# T5000 TRAILER WITH CHIPPER AND LOG LOADER

PROFI

- Loader and chipper are on a special trailer T5000, which is designed just for FARMI Chippers
- Low investment and maintenance costs, compared to drum chipper
- Chipper is driven straight from a tractor's PTO without transmission



CHIPPER	CRANE	TRAILER
FARMI 380 HF / HFC	FARMI: 4571 / 4581 / 5881	T5000
FARMI 260 HFEL / HFC	FARMI: 4067 / 4670 / 4066	T5000



# CHIPPER AND CRANE TOGETHER ON 3-POINT LINKAGE

PROFI

- Quick and easy to connect (and remove) to tractor's 3-point linkage
- Both the loader and the chipper can be used separately on tractor's 3-point linkage



**FARMI 260 HFEL or HFC with Crane:**  
**FARMI 4067 or 4066**



**FARMI 380 HFC with Crane:**  
**FARMI 4571, 4581, 5871 or 5881**



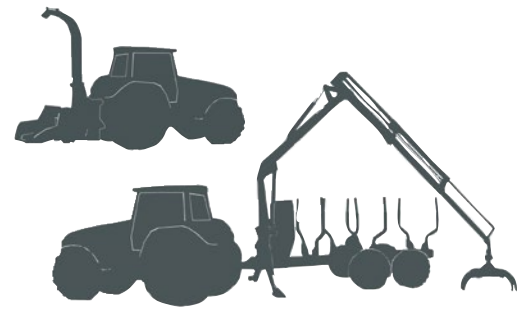
**FARMI 260 HFEL or HFC**  
**with Crane: FARMI 4067, 4670,**  
**4066, (4571 or 4581)**



# VARIO 121 TRAILER WITH CHIPPER AND LOG LOADER

PROFI

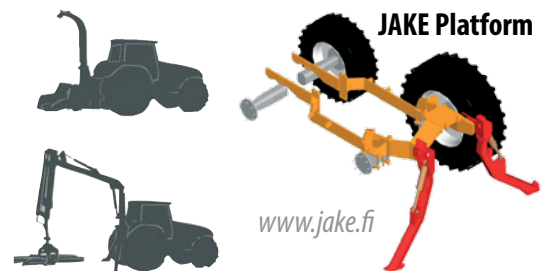
- Chipper is driven through a belt transmission (i=1) from tractor's PTO
- Trailer and loader combination can be used separately as a forwarder
- **FARMI 380 on P121 platform with Crane:** 4571, 4581, 5871, 5881, 6167, 6185



# CRANE ON JAKE PLATFORM AND WOOD CHIPPER ON 3-PT LINKAGE

PROFI

- Gravity point near the rear axle creates excellent balance for the unit
- Easy to connect and remove
- The crane can also be used separately
- **Cranes:** All FARMI Cranes

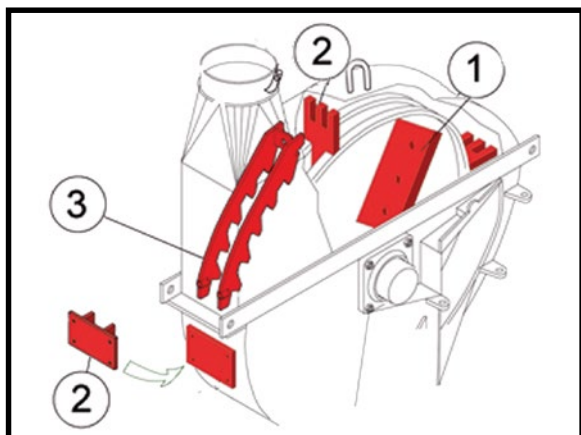


A front support for the crane for transportation and a separate support leg kit are available as accessory for platform fitting

## TECHNICAL SPECIFICATIONS FOR WOOD CHIPPERS

**PROFI**

	FARMI 260 HF-EL / HFC	FARMI 380 HF / HFC
Output, m <sup>3</sup> /h	10-40	30-70
Infeed dimensions, mm	260 x 320	380 x 420
Chip length, mm	7-25	10-30
Amount of knives	2 (3)	4
Operation rpm	(540) / 1000	540 / (1000)
Weight, kg	860 / 1230	1970 / 2300



**Good Chipping Quality  
with Double Discs**



## TECHNICAL SPECIFICATIONS FOR CRANES

**PROFI**

	4067	4670	4066	4571 / 4581	5871 / 5881	6167 / 6185
Max. outreach, m	6,7	7,0	6,6	7,1 / 8,1	7,1 / 8,1	6,7 / 8,5
Lifting capacity, max. outreach kg	445	420	480	455 / 365	485 / 360	685 / 460
Lifting capacity, 4 m, kg	705	760	845	845 / 810	1060 / 1040	1205 / 1145
Slewing angle, degrees	360	380	390	400	400	400
Weight of grapple and rotator	88 (118)	122 (118)	105	105	105	190
Grapple area, m <sup>2</sup>	0,17 (0,20)	0,20 (0,21)	0,21	0,21	0,21	0,24
Rotator: standard, optional	GR 30A	GR46	FR10	FR10,15 / FR10	FR10,15 / FR10	FR15B, 21B
Recommended pump capacity, l/min	25-50	30-60	25-50	30-60	30-60	60-100
Working pressure, bar	180	185	195	195	195	195
Weight of the platform fitting, kg	650	650	650	650	650	650
Weight of the support legs, kg	300, 450	300, 450	300, 450	300, 450, 350	300, 450, 350	450, 350

CHHKTREN 08/2013 NHa

**Farmi Forest Co:** Ahmolantie 6, FI-74510 IISALMI FINLAND  
p. +358 17 832 41, Fax. +358 17 8324 372, Email: info@farmiforest.fi